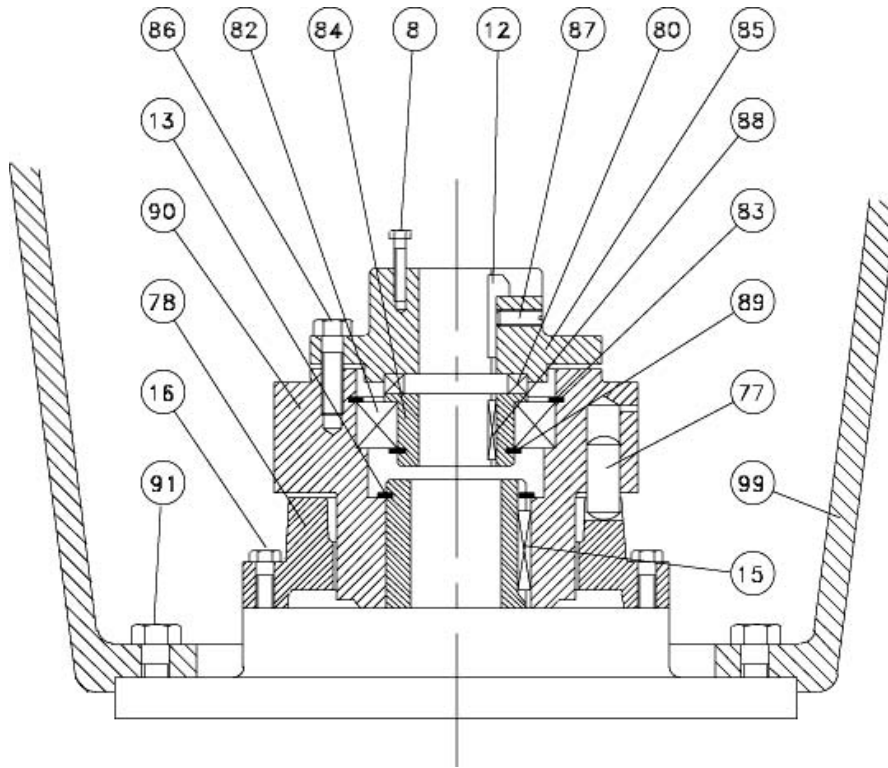


COMBINATION



COMBINATION NON-REVERSE

N o .	Part Name	N o .	Part Name
8	Capscrew	84	Steady Bearing Adaptor
12	Gib Key	85	Upper Coupling Combination
13	External Snap Ring	86	Stainless Steel Capscrews
15	Key (Lower Coupling)	87	Set Screw
16	Capscrew	88	Key (Steady Bearing Adaptor)
77	Ratchet Pins	89	External Snap Ring
78	Thrust Bearing Cover	90	Lower Coupling Combination Non Reverse
80	Wave Spring	91	Capscrew
82	Steady Bearing	99	Motor Stand
83	Internal Snap Ring		